

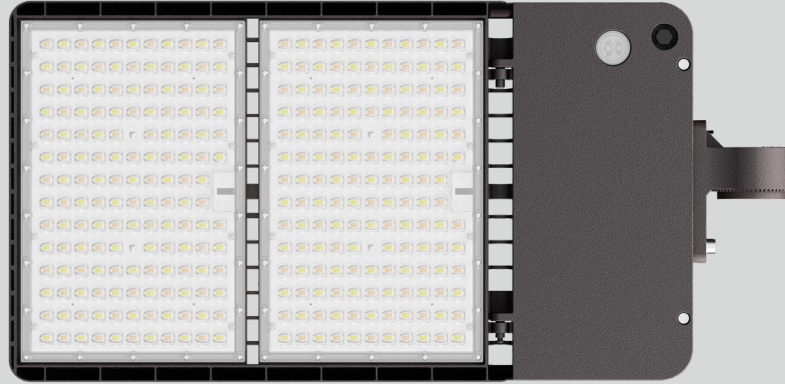


# ACE

Tennis Court Sports Light



## ACE Tennis Court Sports Light



### DESCRIPTION

LED Tennis Court Sports Light | Power & CCT Selectable | IP65 | 120-277VAC (347-480VAC Optional) | Multiple Mounting Options | -40°F(-40°C) to 122°F(50°C) Operating Temp



### CONSTRUCTION

- Rugged die-cast aluminum housing contains factory prewired driver and optical unit

### MOUNTING

- With 4 different mounts: Yoke Mount, Slipfitter, Arm Mount and Trunnion Mount

### OPTICS

- One piece PC optic sheet delivers industry leading optical control
- T3 and T4 distribution available

### ELECTRICAL

- 120-277VAC (347-480VAC Optional)
- 0-10V dimming
- Power Factor > 0.9, THD < 20%
- Surge Protection: L/N 6KV, L/N-P 6KV (optional 10KV SPD)

### CONTROL

- Available with plug-in and Zhaga socket microwave sensor options
- Optional integral Bluetooth programmable motion and photocell sensor
- NEMA 3-pin and 7-pin photocell

### OPERATION TEMPERATURE

- -40°F(-40°C) to 122°F(50°C)

### WARRANTY

- L70 lifetime >10,000hrs based on TM-21 calculation
- Industry leading 10-year warranty for main components

### LISTINGS

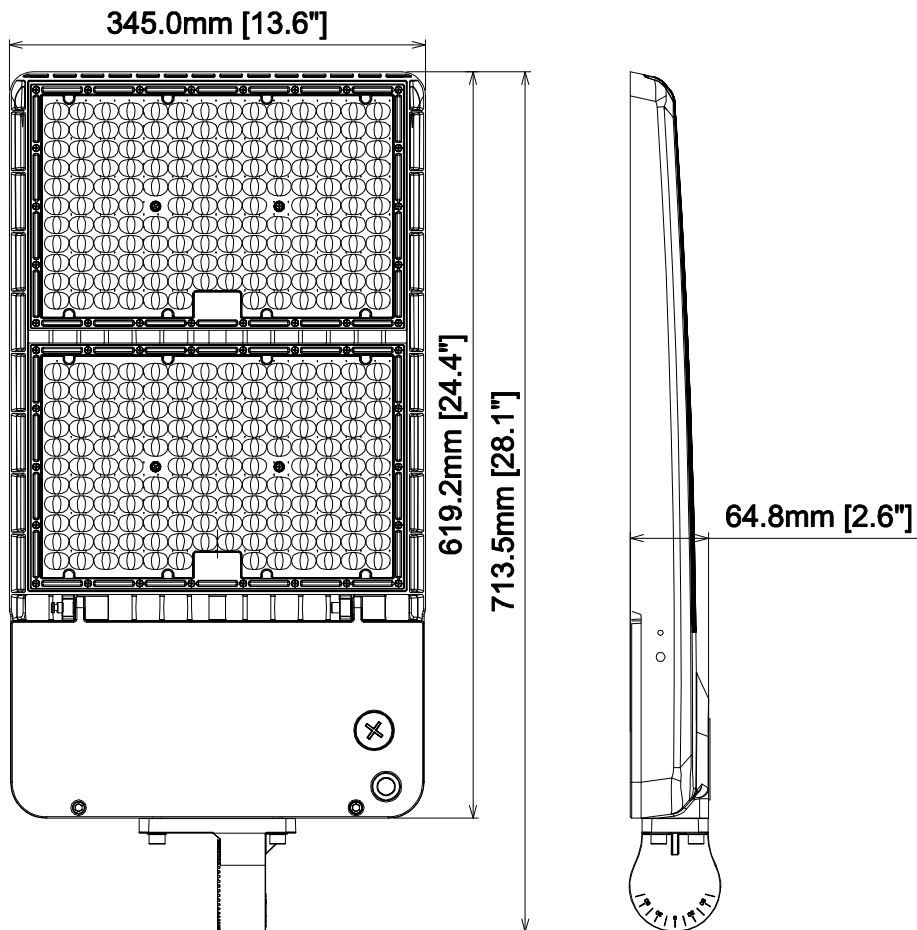
- UL Listed, Suitable for wet locations
- DLC Premium (Pending)
- Title 24 Compliant; see local ordinance for qualification information
- IP65 Rated
- 3G rated for ANSI C136.31 high vibration applications

**ACE**  
Tennis Court Sports Light

**PRODUCT SPECIFICATIONS**

Model Number	Input	Nominal Wattage(W)	CRI	CCT	T3			T4		
					Wattage (W)	Lumens (LM)	Efficacy (LM/W)	Wattage (W)	Lumens (LM)	Efficacy (LM/W)
ACE-500-T1	120-277VAC	400	>80	3000K	397	154	61,115	397	154	60,956
				4000K	382	167	63,818	382	168	64,202
				5000K	397	157	62,274	397	157	62,105
		450	>80	3000K	441	151	66,537	441	150	66,205
				4000K	424	166	70,351	424	165	70,090
				5000K	441	153	67,445	441	153	67,394
		500	>80	3000K	492	148	72,826	487	147	71,635
				4000K	475	166	78,707	471	166	78,043
				5000K	497	155	77,016	491	153	74,987

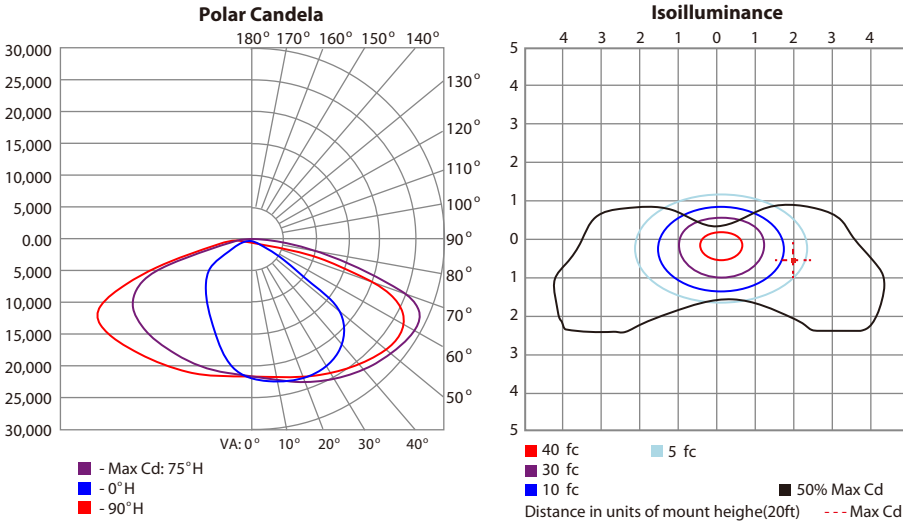
\*All T4 data are based on in-house IES files. T3 data at 500W are based on in-house IES files.  
\*Other T3 data are extrapolated.



**ACE**  
Tennis Court Sports Light

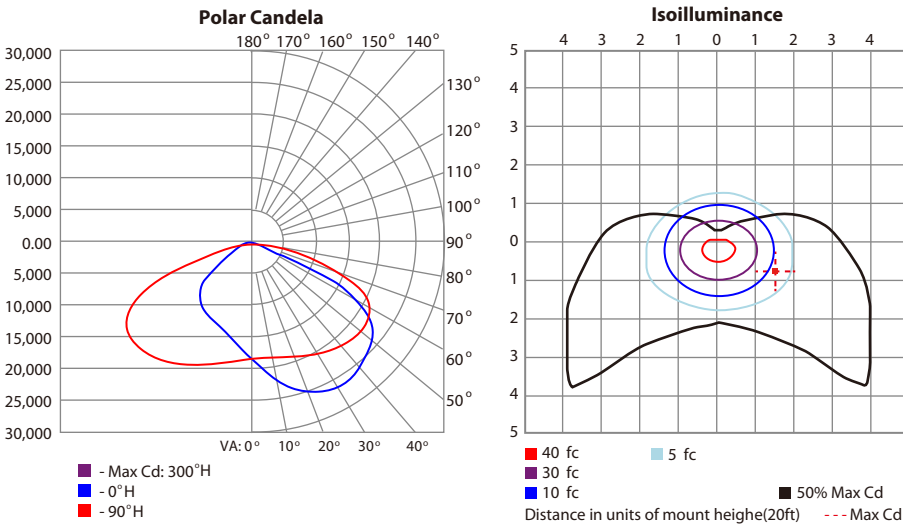
**PHOTOMETRIC SPECIFICATIONS**

**ACE-500-T1-T3**



Type III Distribution		
DESCRIPTION	500W, 4000K,80 CRI	
LUMENS(LM)	78707	
WATTS(W)	475.4	
EFFICACY(LM/W)	165.6	
IES TYPE	TYPE III,Short	
BUG	B5-U0-G5	
Zonal Lumen Summary		
Zone	Lumens	% Luminaire
Low (0-30)°	9,503.8	12.1%
Medium (30-60)°	26,279.9	33.4%
High (60-80)°	12,488.7	15.9%
Very High (80-90)°	607.0	0.8%
Uplight (90-180)°	0.0	0.0%

**ACE-500-T1-T4**

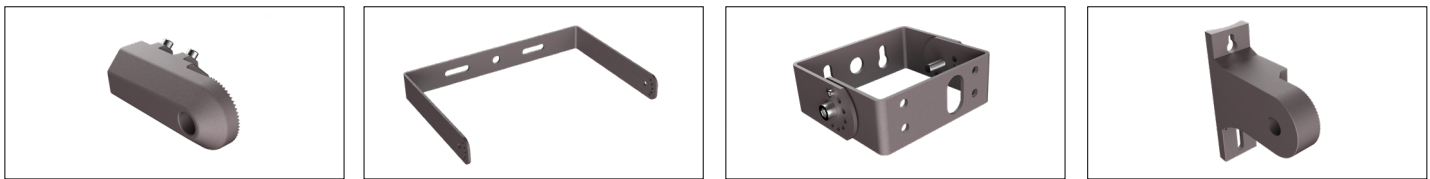


Type III Distribution		
DESCRIPTION	500W, 4000K,80 CRI	
LUMENS(LM)	78,043.0	
WATTS(W)	470.8	
EFFICACY(LM/W)	165.8	
IES TYPE	TYPE IV,Short	
BUG	B5-U0-G5	
Zonal Lumen Summary		
Zone	Lumens	% Luminaire
Low (0-30)°	8,778.0	11.2%
Medium (30-60)°	26,869.4	34.4%
High (60-80)°	14,946.8	19.2%
Very High (80-90)°	865.0	1.1%
Uplight (90-180)°	0.0	0.0%

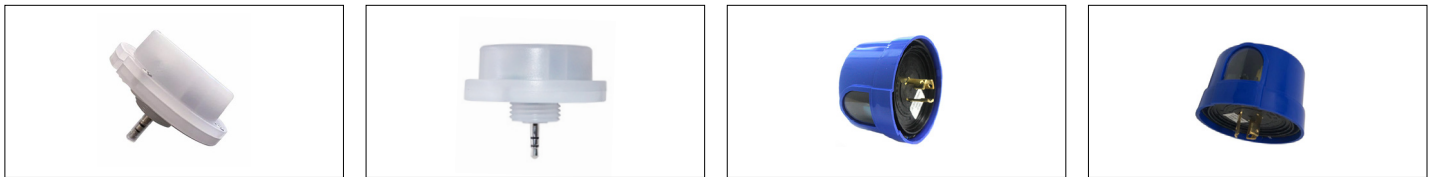
**ACE**  
Tennis Court Sports Light

**ACCESSORIES(SOLD SEPARATELY)**

MOUNTING ACCESSORIES		
SUFFIX	MODEL NUMBER	DESCRIPTION
SF	MSF-ACE-00	Slipfitter for 500W ACE Sports Light
YK	MYK-ACE-00	Yoke Mount for 500W ACE Sports Light
TN	MTN-ACE-00	Trunnion Mount for 500W ACE Sports Light
AM	MAM-ACE-00	Arm Mount for 500WS ACE Sports Light
TA	MTA-ACE-00	Tennis Arm Mount for 500W ACE Sports Light
SHD	SHD-ACE-00	Backlight Shield



SENSORS&PHOTOCELLS		
SUFFIX	MODEL NUMBER	DESCRIPTION
S5	ANT-5-4T	Plug-in Microwave Motion Sensor, 12VDC
S5B	ANT-5-4T-BLE-GE	Plug-in Bluetooth Microwave Motion Sensor
R1	RC-100	Remote for ANT-5-4T
P1	JL-207C	3-pin Photocell, 120-277VAC
P2	JL-207F	3-pin Photocell, 480VAC



SPD		
SUFFIX	MODEL NUMBER	DESCRIPTION
SP1	SPD-P10U	10KV Surge Protector, 120-277VAC
SP2	SPD-P20H	20KV Surge Protector, 347-480VAC

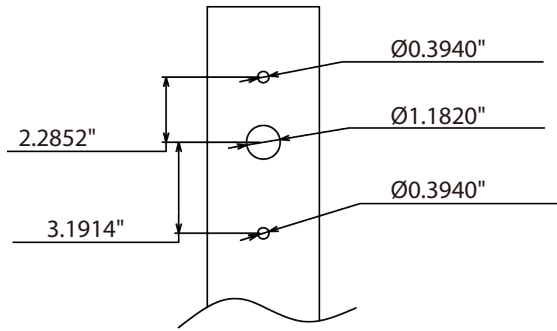
**ORDER FORMAT**

Series	Wattage	CCT	Input	Optics	Finish	Mounting	Control
ACE	500=500W/450W/ 400W Selectable	T1= 3000K/4000K/ 5000K Selectable	Blank= 120-277VAC V= 347-480VAC	T3=Type III T4=Type IV	Blank= Bronze W= White B= Black G= Black	SF= Slipfitter YK= Yoke Mount TN= Trunnion Mount AM= Arm Mount SHD= Backlight Shield	P1= JL-207C P2= JL-207F S5= ANT-5-4T S5B= ANT-5-4T-BLE-GE R1= RC-100

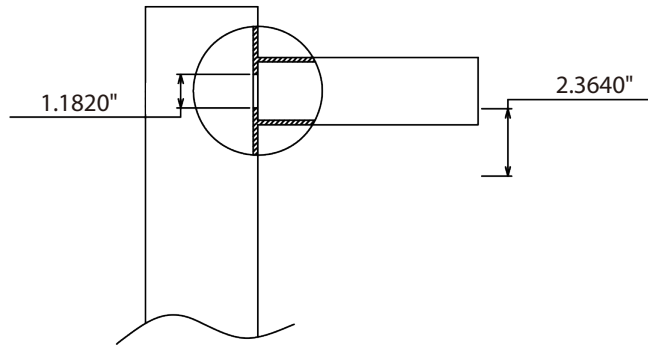
**ACE**  
Tennis Court Sports Light

**ARCHER POLE DRILLING DETAIL**

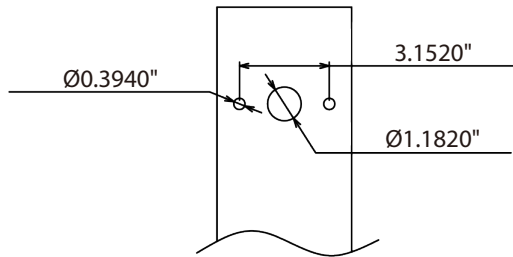
Direct Mount Pole drilling detail



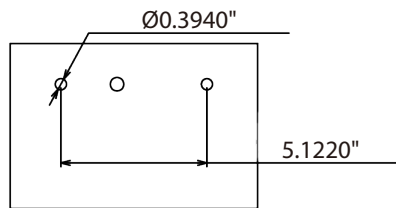
Slipfitter Mount Pole detail



Trunnion Mount Pole drilling detail



Yoke Mount Pole drilling detail



Tennis court light -EPA							
500w	0.568	0.8352	1.1232	1.136	1.404	1.3896	1.404