

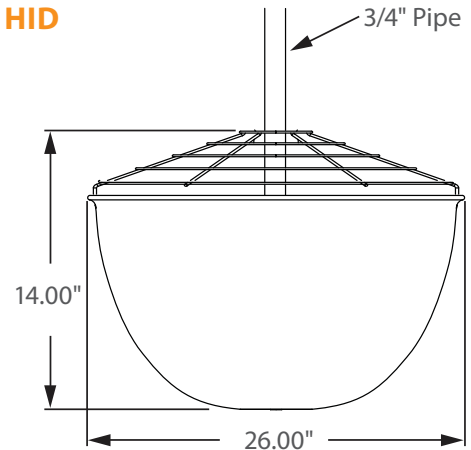
REPLACEMENT FOR 1000W HID



Not all products are qualified on the DLC QPL. To view our DLC qualified products, please consult the DLC Qualified Products List at www.designlights.org/qpl

** AVAILABLE **

0 - 10V
FULL DIMMING



Incredible **100,000** hrs

GENERAL DESCRIPTION

Neptun's High Power LED Indirect pendant mount fixtures combine architectural form and versatility to make it an excellent choice for new construction or retrofit applications. The COB lensed optics designs provides uniform, indirect illumination without glare or hot spots. It can replace existing HID & HPS fixtures up to 1000W.

APPLICATION

- Tennis Court Lighting
- Athletic Facility Lighting
- Pool Lighting
- Factory Lighting
- Convention Center Lighting
- Retail Lighting

STRUCTURE, MATERIALS, & FEATURES

- Die cast aluminum housing with internal finned construction.
- Corrosion resistant electrocoat white finish (custom colors available).
- Angled wire guard included.
- Designed to accept 3/4" NPT pipe. (Hanging Mount Available)
- High Output COB LED's with borociliate glass lens optics.
- High power factor, low THD driver with 6kV/3kA surge protection.
- High performance Thermal Management system.
- Instant-On flicker-free Cold Start and Hot Re-Start.
- Up to 20 year maintenance free operation.
- 10 Year Warranty on complete fixture. (LED's, Driver, & Housing)
- **Optional:** 0-10V Dimming, Wi-Fi Control, Remote Monitoring and ON/ OFF Control

ORDERING INFORMATION

Sample Number: LED-55450-UNV-0-10VDIM-850-PDM4-PG
Custom options and accessories available. Please consult factory

Series	Wattage	Voltage	Drivers	Color Temp	Options
LED-55 = LED Indirect Pendant Mount	450 = 450 W 500 = 500 W 550 = 550 W* 600 = 600 W* * DLC Listed	UNV = 120-277 VAC 347V = 347 VAC 480V = 480 VAC	0-10VDIM = 0-10V Dimming * Contact Factory for Dimming options	835 = 3500°K 841 = 4100°K 850 = 5000°K* * DLC Listed	PDM4 = 4' Pendant - 3/4" NPT PDM5 = 5' Pendant - 3/4" NPT PDM6 = 6' Pendant - 3/4" NPT (other lengths available PDM 8= 8' Pendant) 3PH = 3 Point Hanging Mount (gripples) PG = Nema Plug (verify plug type when ordering)



PATENT PENDING

lightinnovations@work™

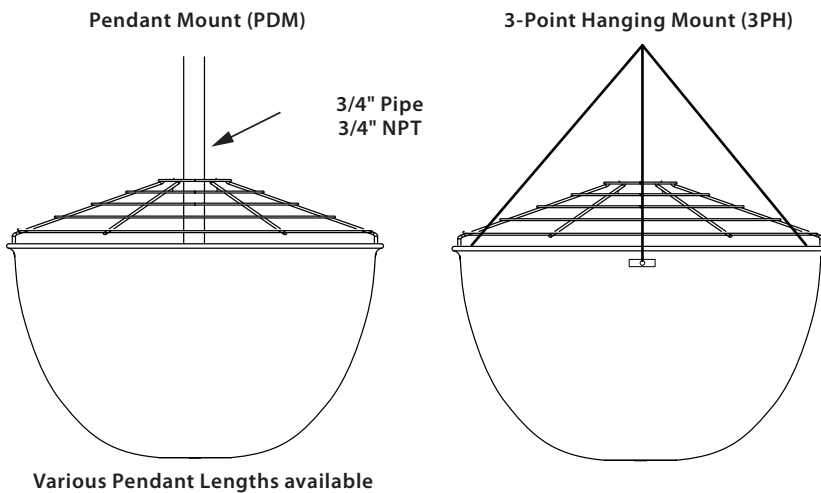
PRODUCT INFORMATION

Model No.	Description	Input Watts	Delivered Lumens	Universal Line Voltage (VAC)	Max Line Current (Amp) @ 120 - 277	THD	Power Factor	Weight
LED-55450-UNV	Indirect Pendant Mount	455	54,000	120-277	3.93 - 1.70	<15%	>0.95	45 lbs
LED-55500-UNV	Indirect Pendant Mount	505	60,000	120-277	4.37 - 1.89	<15%	>0.95	45 lbs
LED-55550-UNV	Indirect Pendant Mount	567	66,400	120-277	4.81 - 2.08	<15%	>0.95	45 lbs
LED-55600-UNV	Indirect Pendant Mount	601	70,500	120-277	5.52 - 2.27	<15%	>0.95	45 lbs

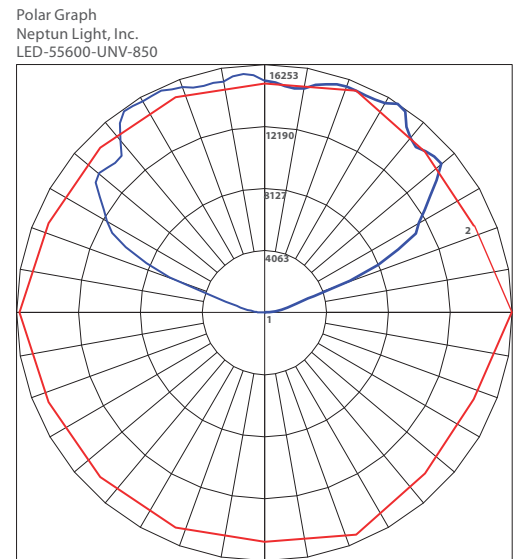
SPECIFICATIONS

- Driver Constant Current
- Start Method InstantON
- Hot Re-start InstantON
- Driver UL Rating Class 1
- Driver UL Outdoor Rated Wet Location
- Sound Rating Class A
- ANSI Surge Protection IEEE C62.41 C High
- Driver Off-State Draw 0 Watts
- Universal Input Line Voltage 120-277 VAC
- Input Line Frequency 50/60 Hz
- Projected (L70) @ 25°C > 100,000 hrs.
- Color Temperature Multiple (± 300°K)
- Color Rendering Index (CRI) > 80
- Beam Angle 60°
- Minimum Starting Temperature -40°C
- Maximum Starting Temperature +50°C
- Lumens per Watt > 110
- Shock / Vibration Resistant Yes
- Power Factor > 0.95
- Total Harmonic Distortion < 15%
- Inrush Current Peak < 10 Amp
- FCC Compliance Part 15, Subp. C
- Housing IP Rating IP43
- Optics IP Rating IP68
- Driver IP Rating IP67
- Warranty 10 Year

MOUNTING OPTIONS



PHOTOMETRICS (See Complete IES File)



Maximum Candela = 19143.77
 Located At Horizontal Angle = 0, Vertical Angle = 147.5
 #1 - Vertical Plane Through Horizontal Angles (0-180) (Through Max. Cd.)
 #2 - Horizontal Cone Through Vertical Angle (147.5) (Through Max. Cd.)