

AFL240-1800W
LED sports
field lighting





300W Can replace 1000w traditional lamps

Special designed size to replace to old famous traditional lamps on existing poles

(PHILIPS: MVF024, MVH-401/403/406 Arena Vision, MVF408-CAT1-1800W, NHF003; THORN: Mundial)

This eliminates the expenses for new poles, crossarms, demolition, engineering, and foundations.



INSTALLATION COSTS -50%

Our stadium light is the only LED field lighting system designed to fully use your existing infrastructure. This eliminates the expenses for new poles, crossarms, demolition, engineering, and foundations.



ENERGY CONSUMPTION -80%

Less power required with our stadium lights, saving more than 80% energy compared with metal halide lamps.



LIGHT YOUR FIELD, NOT YOUR NEIGHBOR'S YARD

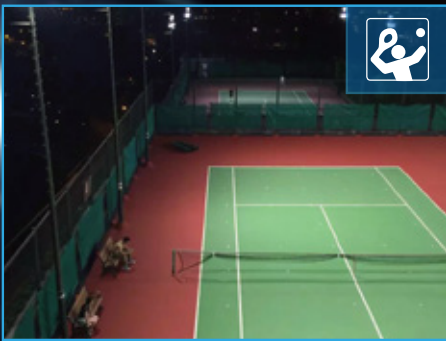
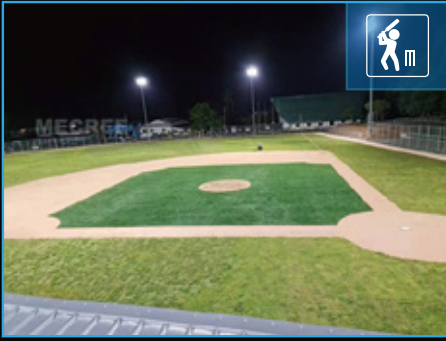
with advanced calculus light distribution, controlling 98% light beam pinpoint precision without creating glare or offspill light.



FIELD LIGHT PER FIXTURE +350%

Highly efficient stadium lights provide more LUX of light on the surface relative to the fixture count of the system. This all saves you a bundle on energy costs.





- High Efficiency 230LM/W Chip
- Precise Aiming Point of Each Light
- Asymmetric beam distribution enabling cost efficient
- Save 50% Installation Cost.
- Improve The Uniformity 10 Times.
- Precise Aiming Point of Each Light Module.
- Applicable to All Kind of High Mast. Upgrade and Renovate The Site on The Existing Infrastructure.





CONSISTENT, BRIGHT, EVEN LIGHT.

UNIFORMITY

10X

Our stadium lights shines continuous, bright, evenly distributed light without the hot spots. Now everyone - players, spectators, and broadcasters - can keep their eye on the ball.

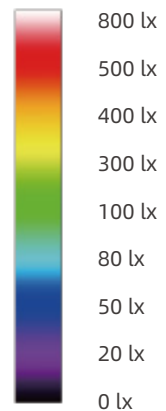
* Data is for lights operating for an average of 10 years.



METAL HALIDE
Light varies 200%



OUR LED
Light varies 20%





Driver : **PHILIPS** **MW** **INVENTRONICS**
USAN WELM

LED Chips : **JFLED** **OSRAM**



Laser Aiming Assembly

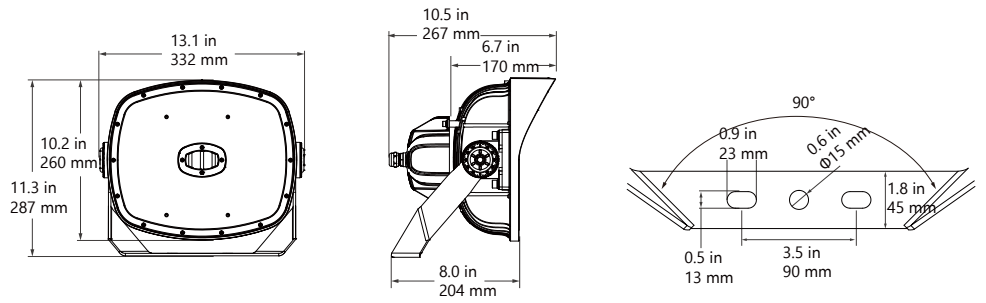


**This product does not contain mercury*

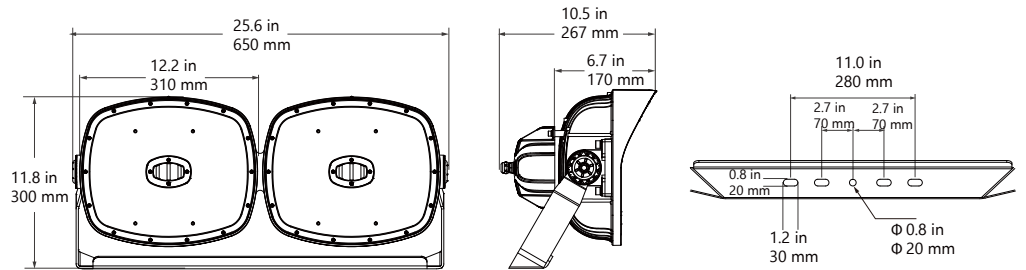


DIMENSIONS

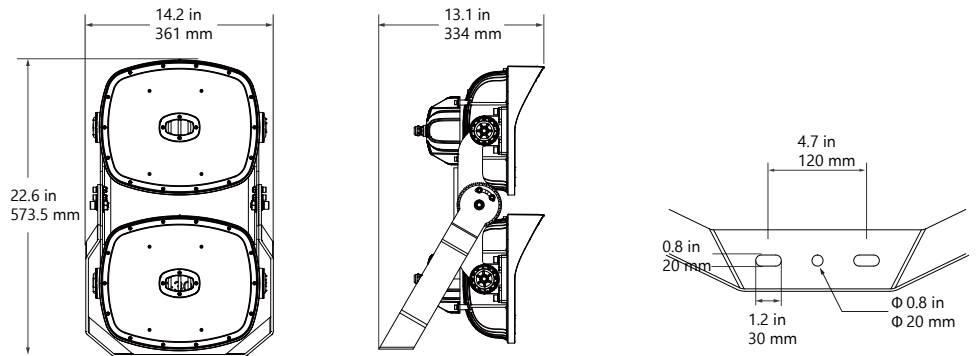
AFL-240W / AFL-300W



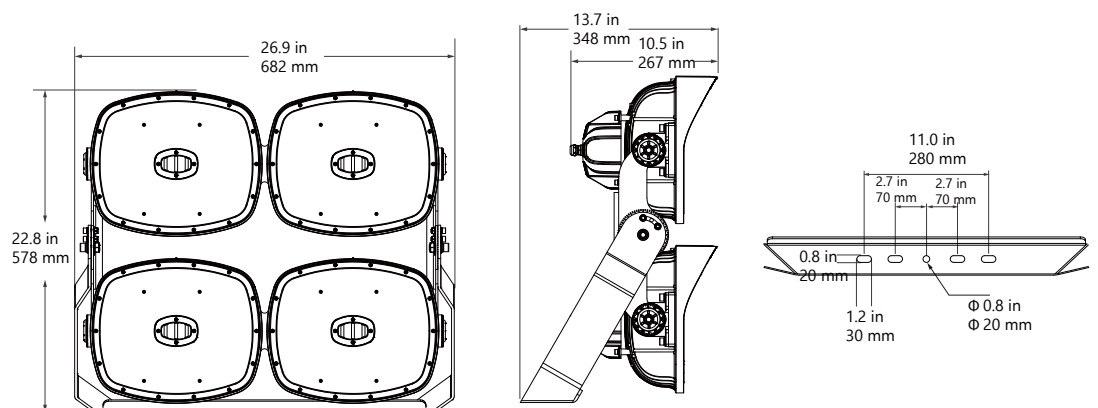
AFL-500W-A/ AFL-600W-A



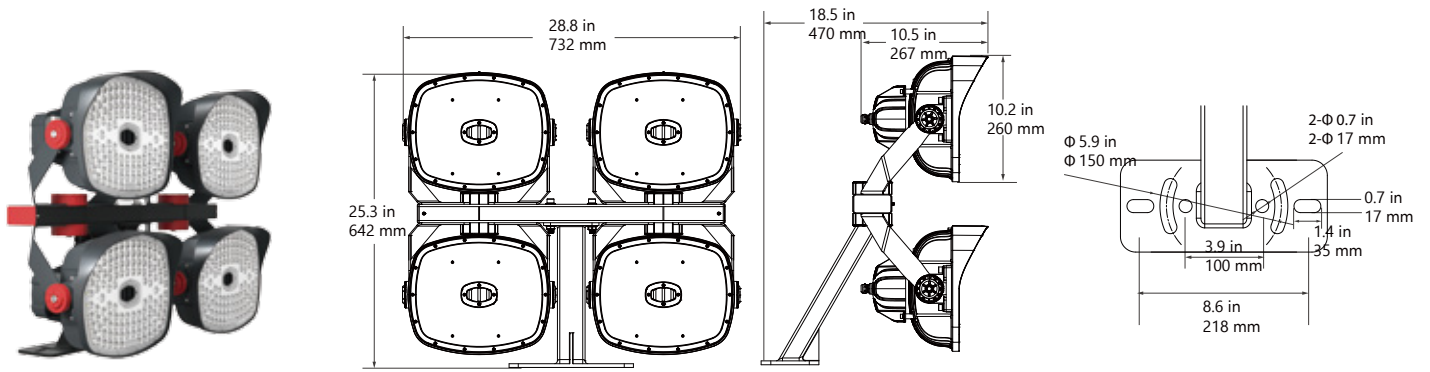
AFL-500W-B/ AFL-600W-B



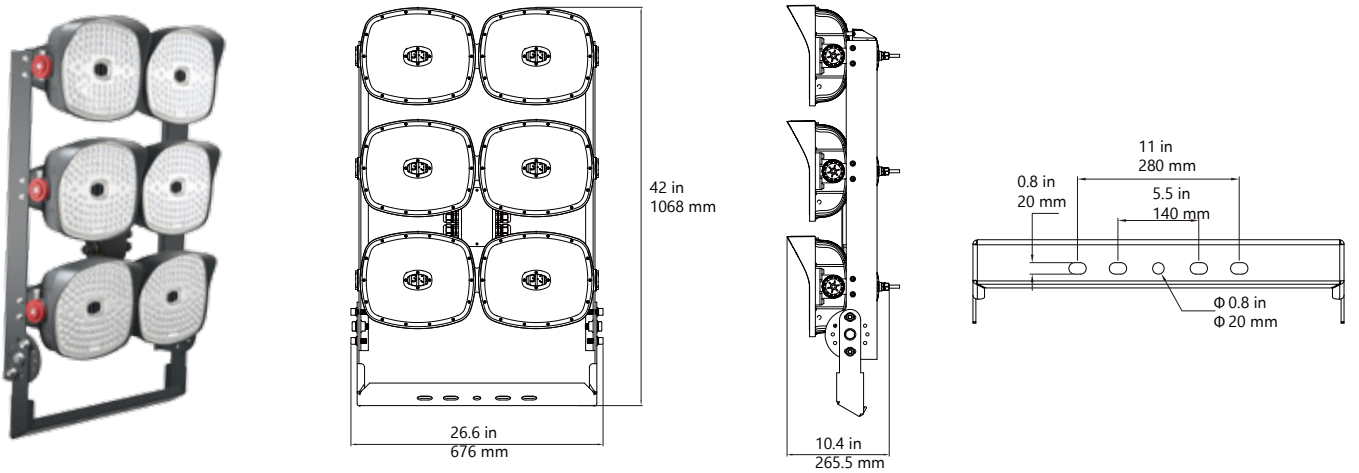
AFL-1000W-A/ AFL-1200W-A



AFL-1000W-B/ AFL-1200W-B



AFL-1800W



SPECIFICATION

| Item | Power Supply | CCT | CRI | Initial luminous at CRI 70 flux | System Wattage | EPA | Fixtrue Weight |
|-----------|-------------------------|-------------------------------|---------------|---------------------------------|----------------|---------------------------------------|--|
| AFL-240W | | | | >38400 | 240W | 1.224 | 16.09 lbs.(7.3 kg) |
| AFL-300W | | | | >48000 | 300W | 1.224 | 16.09 lbs.(7.3 kg) |
| AFL-500W | Inventronics / Meanwell | 3000K / 4000K / 5000K / 6500K | 70 / 80 / 90+ | >80000 | 500W | AFL-500W-A 2.508 AFL-500W-B 2.664 | 37.47 lbs.(17 kg) |
| AFL-600W | | | | >96000 | 600W | AFL-600W-A 2.508 AFL-600W-B 2.664 | 37.47 lbs.(17 kg) |
| AFL-1000W | | | | >160000 | 1000W | AFL-1000W-A 5.008 AFL-1000W-B 6.06 | AFL-1000W-A 72.75 lbs. (33 kg) AFL-1000W-B 81.57 lbs. (37 kg) |
| AFL-1200W | | | | >192000 | 1200W | AFL-1200W-A 5.008 AFL-1200W-B 6.06 | AFL-1200W-A 72.75 lbs. (33 kg) AFL-1200W-B 81.57 lbs. (37 kg) |
| AFL-1800W | | | | >288000 | 1800W | 8.976 | 116.84 lbs(53 kg) |

| | | | |
|-----------------|----------------------------------|----------------------------------|-----------------------|
| LED | Lumileds/ CREE | Operating Temperature Range | -40°C --- +60°C |
| Lamp Efficiency | CRI 70: 160lm/w, CRI 80: 150lm/w | Surge protection device standard | 10KV |
| Input Voltage | 200-480V AC 100-277V AC | Mech. impact protection code | IK08 |
| Power Factor | >0.98% | Controls and Dimming | DMX, 0-10V, DALI |
| | | Beam Angle | 15°, 30°, 60°, 40°85° |
| | | IP Rating | IP66 |